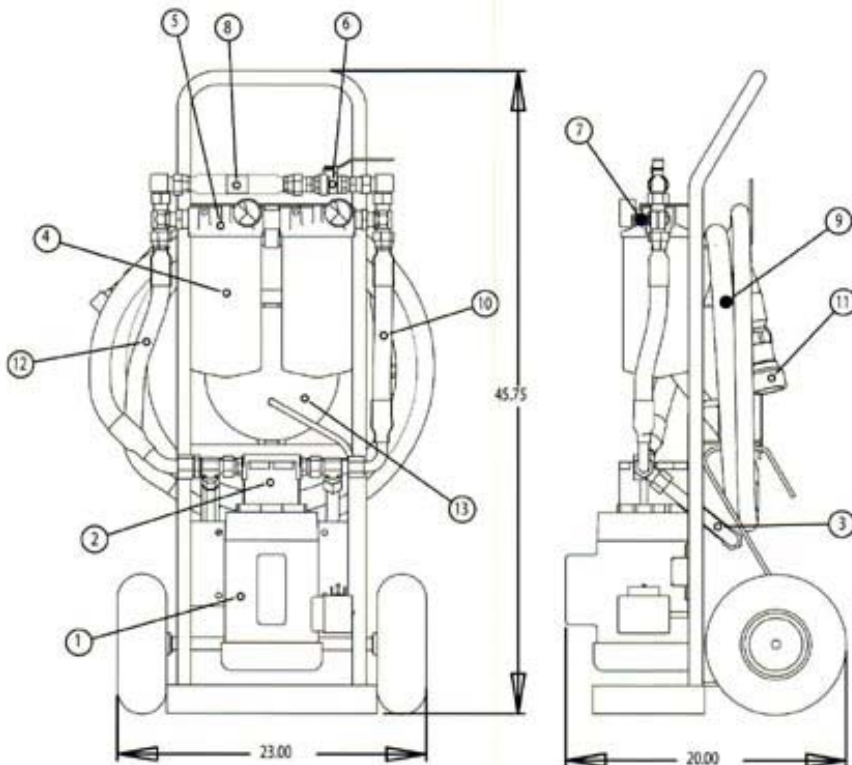


FLOWGUARD™ HAND CARTS

TECHNICAL DETAILS



Front View and Side View Diagrams of FlowGuard™ Hand Carts with optional accessories

ITEM	QTY.	DESCRIPTION
1	1	MOTOR
2	1	PUMP
3	1	RELIEF VALVE
4	2	FILTER ELEMENT
5	2	FILTER HEAD
6	1	BALL VALVE
7	2	SAMPLE PORT
8	1	CLEAR PVC HOSE - TRANSFER BYPASS
9	1	CLEAR PVC SUCTION HOSE - 12'
10	1	CLEAR PVC HOSE - 1.5'
11	2	ISO B COUPLER
12	1	CLEAR PVC PRESSURE HOSE - 12'
13	1	25' RETRACTABLE CORD REEL